

# Unity

Single-phase track system



Basic system for unified lighting scenarios.



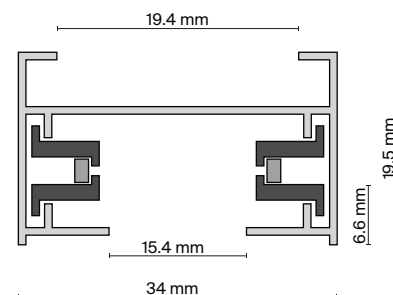
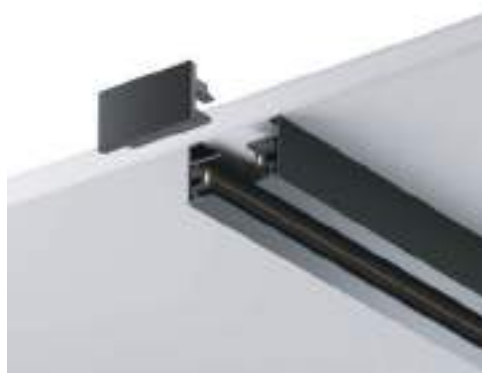
The minimum allowable distance between lamps on the track is 25 cm.

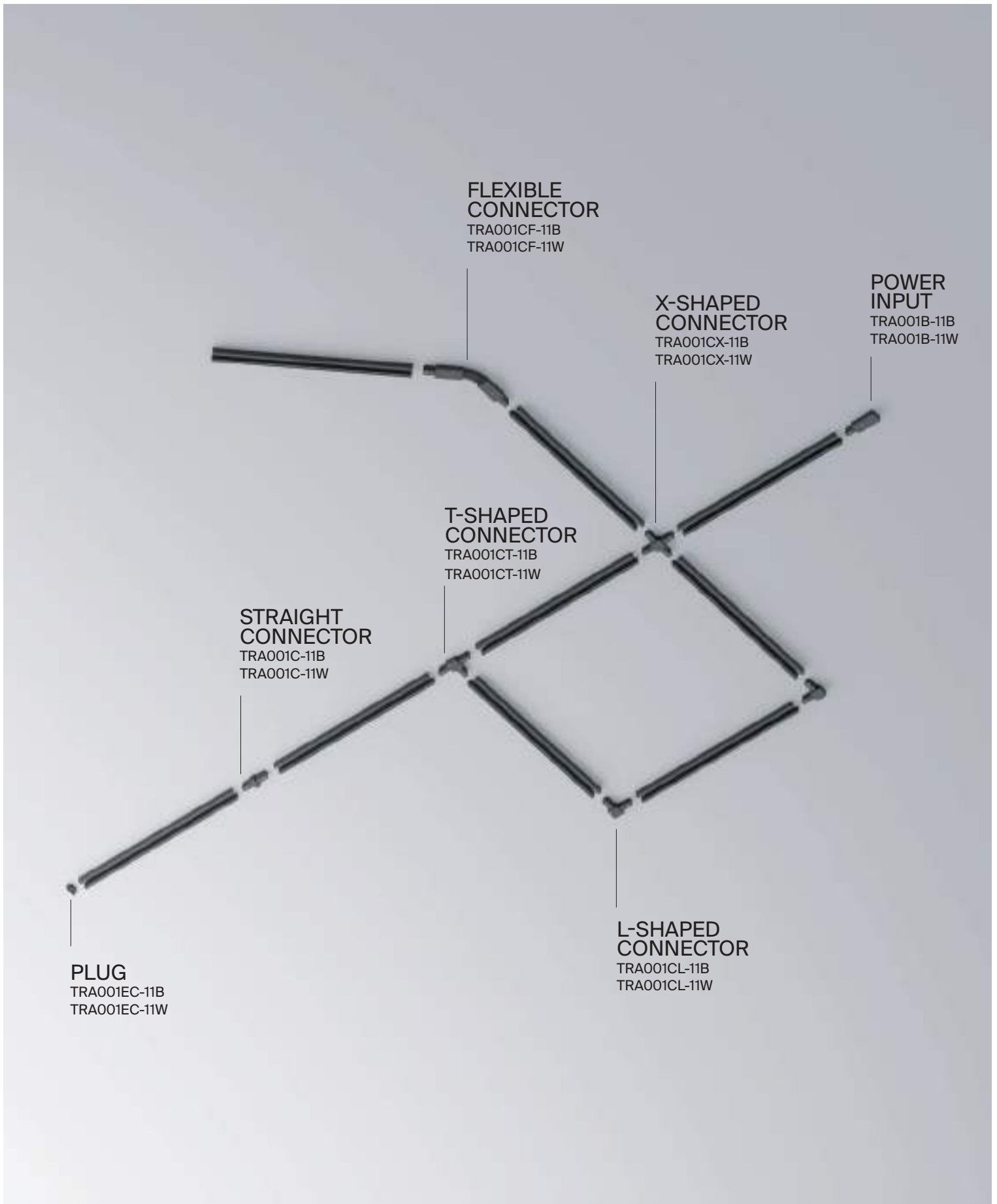
# Elements of a single-phase track system Unity for surface and pendant mounting



SYSTEM ELEMENT	COLOR	ARTICLE	SIZE
TRACK	■ BLACK	TRX001-111B	H20 X W34 X L1000
	□ WHITE	TRX001-111W	H20 X W34 X L1000
	■ BLACK	TRX001-112B	H20 X W34 X L2000
	□ WHITE	TRX001-112W	H20 X W34 X L2000

TRACK	■ BLACK	TRA010-1-BS-B
	□ WHITE	TRA010-1-BS-W



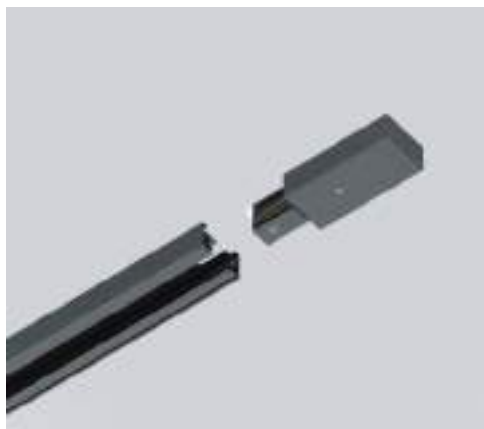
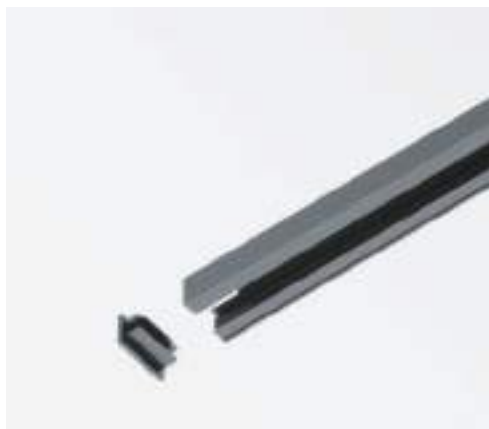


SINGLE-PHASE UNITY TRACK SYSTEM.

# Elements of a single-phase track system Unity for surface and pendant mounting



SYSTEM ELEMENT	COLOR	ARTICLE
PLUG	<input checked="" type="checkbox"/> BLACK	TRA001EC-11B
	<input type="checkbox"/> WHITE	TRA001EC-11W
POWER INPUT	<input checked="" type="checkbox"/> BLACK	TRA001B-11B
	<input type="checkbox"/> WHITE	TRA001B-11W
STRAIGHT CONNECTOR	<input checked="" type="checkbox"/> BLACK	TRA001C-11B
	<input type="checkbox"/> WHITE	TRA001C-11W



SYSTEM ELEMENT	COLOR	ARTICLE
L-SHAPED CONNECTOR	■ BLACK	TRA001CL-11B
	□ WHITE	TRA001CL-11W



T-SHAPED CONNECTOR	■ BLACK	TRA001CT-11B
	□ WHITE	TRA001CT-11W



X-SHAPED CONNECTOR	■ BLACK	TRA001CX-11B
	□ WHITE	TRA001CX-11W



FLEXIBLE CONNECTOR	■ BLACK	TRA001CF-11B
	□ WHITE	TRA001CF-11W



# Elements of a single-phase track system Unity for surface and pendant mounting



SYSTEM ELEMENT	COLOR	ARTICLE
CONNECTORS FOR PENDANT MOUNTING OF LAMPS IN A TRACK	■ BLACK	TRA011-1-A-B
	□ WHITE	TRA011-1-A-W



CABLE SUSPENSION	■ BLACK	TRA001CW-11B
	□ WHITE	TRA001CW-11W





TRA001CW-11B