

Trinity

Three-phase track system.



Advanced system for setting up to 3 active lighting scenarios.

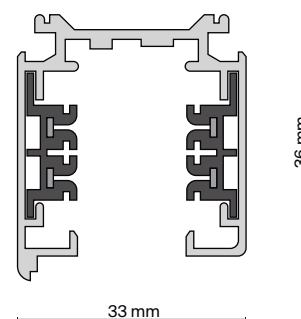


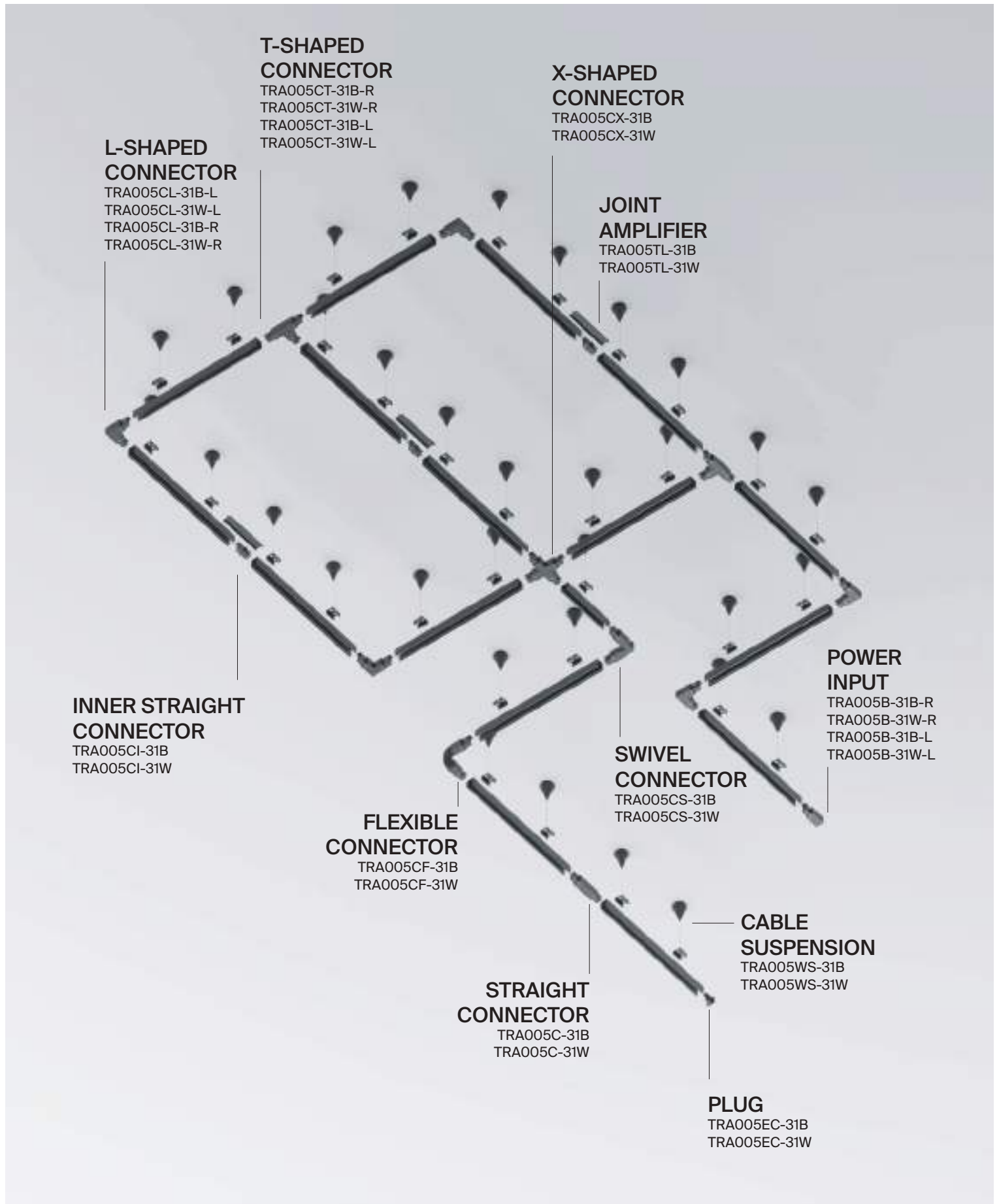
The minimum allowable distance between lamps on the track is 25 cm.

Elements of a three-phase track system Trinity for surface and pendant mounting



SYSTEM ELEMENT	COLOR	ARTICLE	SIZE
TRACK	■ BLACK	TRX005-311B	H33 X W36 X L1000
	■ BLACK	TRX005-312B	H33 X W36 X L2000
	□ WHITE	TRX005-311W	H33 X W36 X L1000
	□ WHITE	TRX005-312W	H33 X W36 X L2000





Elements of a three-phase track system Trinity for surface and pendant mounting



SYSTEM ELEMENT	COLOR	ARTICLE
PLUG	<input checked="" type="checkbox"/> BLACK	TRA005EC-31B
	<input type="checkbox"/> WHITE	TRA005EC-31W
POWER INPUT RIGHT	<input checked="" type="checkbox"/> BLACK	TRA005B-31B-R
	<input type="checkbox"/> WHITE	TRA005B-31W-R
POWER INPUT LEFT	<input checked="" type="checkbox"/> BLACK	TRA005B-31B-L
	<input type="checkbox"/> WHITE	TRA005B-31W-L



SYSTEM ELEMENT	COLOR	ARTICLE
INNER STRAIGHT CONNECTOR	■ BLACK	TRA005CI-31B
	□ WHITE	TRA005CI-31W



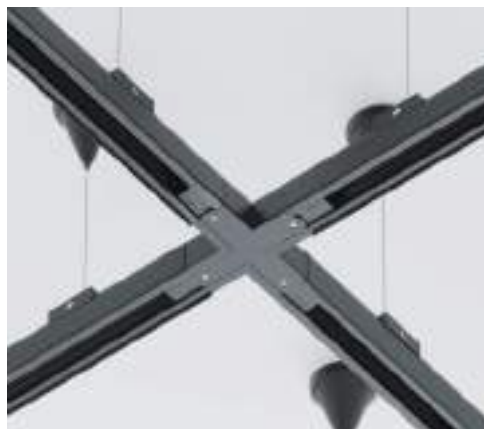
STRAIGHT CONNECTOR	■ BLACK	TRA005C-31B
	□ WHITE	TRA005C-31W



FLEXIBLE CONNECTOR	■ BLACK	TRA005CF-31B
	□ WHITE	TRA005CF-31B



SWIVEL CONNECTOR	■ BLACK	TRA005CS-31B
	□ WHITE	TRA005CS-31W



Elements of a three-phase track system Trinity for surface and pendant mounting



SYSTEM ELEMENT	COLOR	ARTICLE
L-SHAPED CONNECTOR LEFT	■ BLACK	TRA005CL-31B-L
	□ WHITE	TRA005CL-31W-L
L-SHAPED CONNECTOR RIGHT	■ BLACK	TRA005CL-31B-R
	□ WHITE	TRA005CL-31W-R
T-SHAPED CONNECTOR RIGHT	■ BLACK	TRA005CT-31B-R
	□ WHITE	TRA005CT-31W-R
T-SHAPED CONNECTOR LEFT	■ BLACK	TRA005CT-31B-L
	□ WHITE	TRA005CT-31W-L



SYSTEM ELEMENT	COLOR	ARTICLE
X-SHAPED CONNECTOR	■ BLACK	TRA005CX-31B
	□ WHITE	TRA005CX-31W



JOINT AMPLIFIER	■ BLACK	TRA005TL-31B
	□ WHITE	TRA005TL-31W



CABLE SUSPENSION	■ BLACK	TRA005WS-31B
	□ WHITE	TRA005WS-31W

